



E230C Series LED Monitor

User's Manual



Foreword

General






This manual introduces the installation, functions and operations of the E230C device (hereinafter referred to as the "Device"). Read carefully before using the device, and keep the manual safe for future reference.

Models

DHI-LM24-E230C, DHI-LM27-E230C, DHI-LM32-E230CN.

Safety Instructions

The following signal words might appear in the manual.

Signal Words	Meaning
 DANGER	Indicates a high potential hazard which, if not avoided, will result in death or serious injury.
 WARNING	Indicates a high potential hazard which, if not avoided, will result in death or serious injury.
 CAUTION	Indicates a potential risk which, if not avoided, could result in property damage, data loss, reductions in performance, or unpredictable results.
 TIPS	Provides methods to help you solve a problem or save time.
 NOTE	Provides additional information as a supplement to the text.

Revision History

Version	Revision Content	Release Time
V1.0.0	First release.	June 2024

Privacy Protection Notice

As the device user or data controller, you might collect the personal data of others such as their face, fingerprints, and license plate number. You need to be in compliance with your local privacy protection laws and regulations to protect the legitimate rights and interests of other people by implementing measures which include but are not limited: Providing clear and visible identification to inform people of the existence of the surveillance area and provide required contact information.

Interface Declaration

This manual mainly introduces the relevant functions of the device. The interfaces used in its manufacture, the procedures for returning the device to the factory for inspection and for locating its faults are not described in this manual. Please contact technical support if you need information on these interfaces.

About the Manual

- The manual is for reference only. Slight differences might be found between the manual and the product.
- We are not liable for losses incurred due to operating the product in ways that are not in compliance with the manual.
- The manual will be updated according to the latest laws and regulations of related jurisdictions. For detailed information, see the paper user's manual, use our CD-ROM, scan the QR code or visit our official website. The manual is for reference only. Slight differences might be found between the electronic version and the paper version.
- All designs and software are subject to change without prior written notice. Product updates might result in some differences appearing between the actual product and the manual. Please contact customer service for the latest program and supplementary documentation.
- There might be errors in the print or deviations in the description of the functions, operations and technical data. If there is any doubt or dispute, we reserve the right of final explanation.
- Upgrade the reader software or try other mainstream reader software if the manual (in PDF format) cannot be opened.
- All trademarks, registered trademarks and company names in the manual are properties of their respective owners.
- Please visit our website, contact the supplier or customer service if any problems occur while using the device.
- If there is any uncertainty or controversy, we reserve the right of final explanation.



The terms HDMI and HDMI High-Definition Multimedia Interface, and the HDMI Logo are trademarks or registered trademarks of HDMI Licensing Administrator, Inc. in the United States and other countries.

Important Safeguards and Warnings

This section introduces content covering the proper handling of the device, hazard prevention, and prevention of property damage. Read carefully before using the device, and comply with the guidelines when using it.

Transportation Requirements



Transport the device under allowed humidity and temperature conditions.

Storage Requirements



- Do not place the device in a place exposed to sunlight or near heat sources.
- Store the device under allowed humidity (5%–95% (RH)) and temperature (–20 °C to +60 °C, or –4 °F to +140 °F) conditions.

Installation Requirements



Stability Hazard

Possible result: The device might fall down and cause serious personal injury.

Preventive measures (including but not limited to):

- Only use cabinets and brackets specified for the device.
- Only use furniture and structures that can safely support the device.
- Do not place the device on the edge of the furniture or structure that is supporting it.
- Always educate children about the dangers of climbing furniture to reach the device and its controller.
- Carefully arrange the cables connected to the device to avoid people tripping over them and pulling on them.
- Make sure that the device is installed on a stable surface.
- Do not put the device on tall furniture, such as cabinets and bookcases, without first ensuring that the supporting structure is stable enough to bare the device.
- Do not place the device on fabric and other similar material.
- Do not place items, such as toys and remote controls, that may entice children to climb on top of the device or furniture on which the device is placed.



- Do not connect the power adapter to the device while the adapter is powered on.
- Strictly comply with the local electrical safety code and standards. Make sure that the ambient voltage is stable and meets the power supply requirements of the device.
- Do not connect the device to two or more kinds of power supplies, to avoid safety risks and damage to the device.
- Please follow the electrical requirements to power the device.
 - ◊ Following are the requirements for selecting a power adapter.
 - The power supply must conform to the requirements of IEC 60950-1 and IEC 62368-1 standards.


- The voltage must meet the SELV (Safety Extra Low Voltage) requirements and not exceed ES-1 standards.
- When the power of the device does not exceed 100 W, the power supply must meet LPS requirements and be no higher than PS2.
- ◇ We recommend using the power adapter provided with the device.
- ◇ When selecting the power adapter, the power supply requirements (such as rated voltage) are subject to the device label.



- Personnel working at heights must take all necessary measures to ensure personal safety including wearing a helmet and safety belts.
- Do not place the device in a place exposed to sunlight or near heat sources.
- Keep the device away from dampness, dust, and soot.
- Use an adapter or cabinet power supply provided by the manufacturer.
- The device is a class I electrical appliance. Make sure that the power supply of the device is connected to a power socket with protective earthing.
- When installing the device, make sure that the power plug can be easily reached to cut off the power.
- This is a class A product. In a domestic environment this may cause radio interference in which case you may be required to take adequate measures.
- Install the Device on a stable surface to prevent it from falling.
- Install the device in a well-ventilated place, and do not block its ventilation.
- The signal output devices and the LCD Display must be on the same grounding, and the earth impedance must be less than 1 Ω.

Operation Requirements



-  The device or remote control contains button batteries. Do not swallow the batteries due to the risk of chemical burns.
Possible result: The swallowed button battery can cause serious internal burns and death within 2 hours.
Preventive measures (including but not limited to):
 - ◇ Keep new and used batteries out of reach of children.
 - ◇ If the battery compartment is not securely closed, stop using the product immediately and keep out of reach of children.
 - ◇ Seek immediate medical attention if a battery is believed to be swallowed or inserted inside any part of the body.
- Battery Pack Precautions
Preventive measures (including but not limited to):
 - ◇ Do not transport, store or use the batteries in high altitudes with low pressure and environments with extremely high and low temperatures.
 - ◇ Do not dispose of the batteries in fire or a hot oven, or mechanically crush or cut the batteries to avoid an explosion.
 - ◇ Do not leave the batteries in environments with extremely high temperatures to avoid explosions and leakage of flammable liquid or gas.



- Use the standard power adapter. We will assume no responsibility for any problems caused by the use of a nonstandard power adapter.

- Use the power cords that are recommended for the region and conform to the rated power specifications.
- In a domestic environment this may cause radio interference in which case you may be required to take adequate measures.
- Ground the device to protective ground before you power it on.



- Do not drop or splash liquid onto the device, and make sure that there is no object filled with liquid on the device to prevent liquid from flowing into it.
- Operate the device within the rated range of power input and output.
- Do not disassemble the device without professional instruction.
- Use the device under allowed humidity and temperature conditions.
- Check whether the power supply is correct before use.
- Operating temperature: 0 °C to 40 °C (32 °F to 104 °F).

Maintenance Requirements



DANGER

Replacing unwanted batteries with the wrong type of new batteries might result in explosion.

Preventive measures (including but not limited to):

- Replace unwanted batteries with new batteries of the same type and model to avoid the risk of fire and explosion.
- Dispose of the old batteries as instructed.



- Power off the device before maintenance. Do not use the liquid cleaner or spray cleaner when cleaning the device.
- Use the clean and soft cloth or use the special lens wiping cloth when cleaning the surface of display screen. Do not use the wet cloth to clean the display screen. Otherwise, it may do harm to the screen.
- The appliance coupler is a disconnection device. Keep it at a convenient angle when using it.

Table of Contents

Foreword	I
Important Safeguards and Warnings	III
Product Information	1
1. Packing List	1
2. Monitor Adjustments	3
3. Button Description	4
4. Cable Connection	7
5. Menu Description	9
6. Operation Menu(OSD) Function Descriptions	11
Appendix 1 Security Commitment and Recommendation	14

Product Information

1. Packing List

DHI-LM24-E230C / DHI-LM27-E230C

Figure 1-1 Packing List (1)

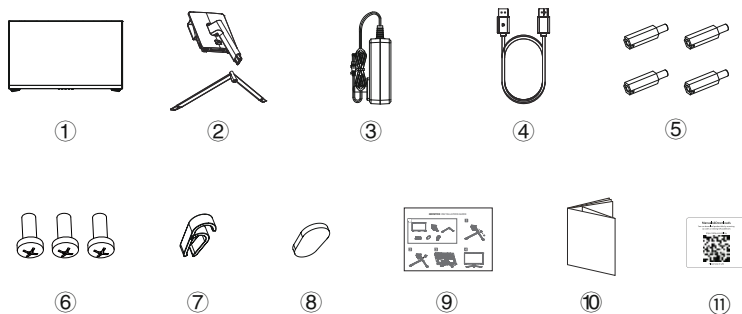


Table 1-1 Packing List (1)

No.	Meaning
①	Display screen
②	Base/Stand
③	Power adapter
④	DP signal cable
⑤	Mount stud
⑥	Screws
⑦	Harness seat
⑧	Rubber foot
⑨	QSG
⑩	Regulations folding
⑪	User's manual QR code stickers

NOTE

The above appendix products are for reference only, the supporting products of different models of monitors may be slightly different from those in the figure, and everything is subject to reality.

DHI-LM32-E230CN

Figure 1-1 Packing List (2)

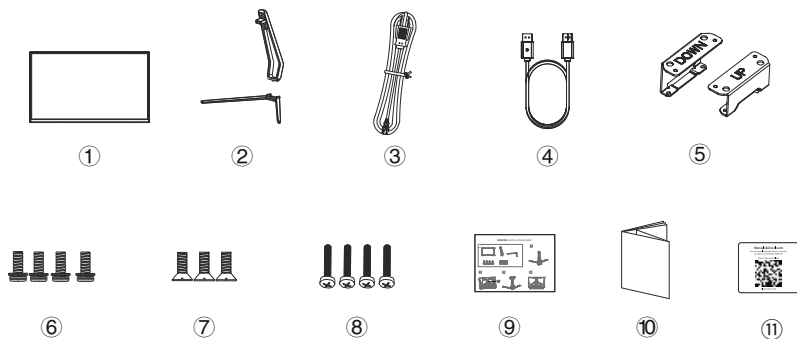


Table 1-1 Packing List (2)

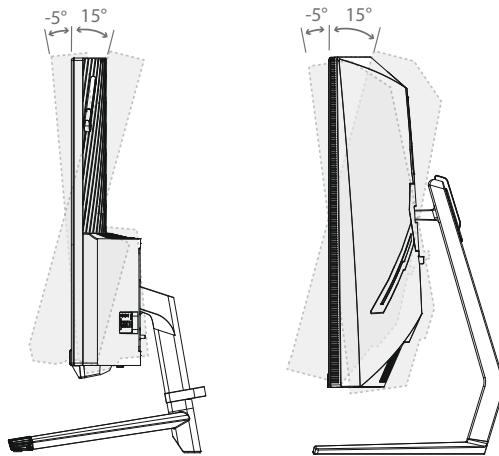
No.	Meaning
①	Display screen
②	Base/Stand
③	Power cable
④	DP signal cable
⑤	VESA connector
⑥	PM4*12 Screw bolts
⑦	KM4*12 Screw bolts
⑧	PM4*16 Screw bolts
⑨	QSG
⑩	Regulations folding
⑪	User's manual QR code stickers

The above appendix products are for reference only, the supporting products of different models of monitors may be slightly different from those in the figure, and everything is subject to reality.

2. Monitor Adjustments

Some displays can be angled by tilting forward and backward, and typically, it can tilt $5\pm 2^\circ$ forward and $15\pm 2^\circ$ backwards. The specific adjustment function is subject to the adjustment function of the actual model.

Figure 2-1 Monitor adjustments



Tilting angle

$-5.0^\circ(\pm 2.0^\circ) - +15^\circ(\pm 2.0^\circ)$

 **NOTE**

When adjusting the angle of the monitor, be sure not to touch or press the area of the screen.

The above figure is for reference only, and everything is subject to the actual adjustment function.

3. Button Description

DHI-LM24-E230C

Figure 3-1 Indicator and button display (1)

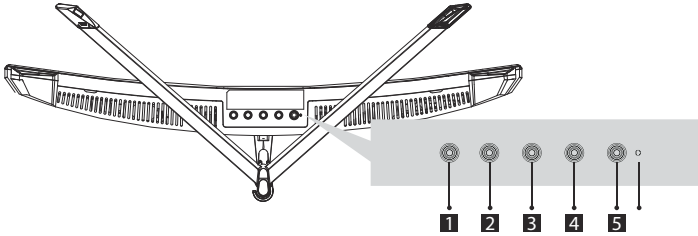


Table 3-2 Indicator description (1)

Name	Description
LED indicator light	<ul style="list-style-type: none"> The white light indicates that the power supply is normal and the monitor is running normally. Red light indicates no video source, no horizontal or vertical signal or low voltage is detected. The light is off when the screen is turned off.

Table 3-3 OSD Buttons (1)

OSD Button	Function
1	Menu button: Press to display OSD menu and enter sub-menus.
2	Down button: Move down in the menu/quickly adjust the game crosshairs.
3	Up button: Move up/quickly adjust contextual model.
4	Exit key: Returns to the previous menu/quickly adjust the input signal.
5	Power button: Press to turn monitor on/off.

NOTE

The above content is for reference only, and everything is subject to actual conditions.

DHI-LM27-E230C

Figure 3-1 Indicator and button display (2)

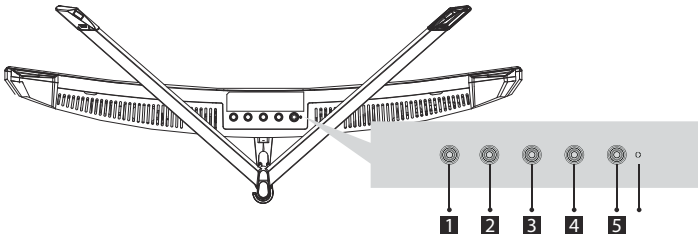


Table 3-2 Indicator description (2)

Name	Description
LED indicator light	<ul style="list-style-type: none"> The blue light indicates that the power supply is normal and the monitor is running normally. Red light indicates no video source, no horizontal or vertical signal or low voltage is detected. The light is off when the screen is turned off.

Table 3-3 OSD Buttons (2)

OSD Button	Function
1	Menu button: Press to display OSD menu and enter sub-menus.
2	Down button: Move down in the menu/quickly adjust the game crosshairs.
3	Up button: Move up/quickly adjust contextual model.
4	Exit key: Returns to the previous menu/quickly adjust the input signal.
5	Power button: Press to turn monitor on/off.

NOTE

The above content is for reference only, and everything is subject to actual conditions.

DHI-LM32-E230CN

Figure 3-1 Indicator and button display (3)

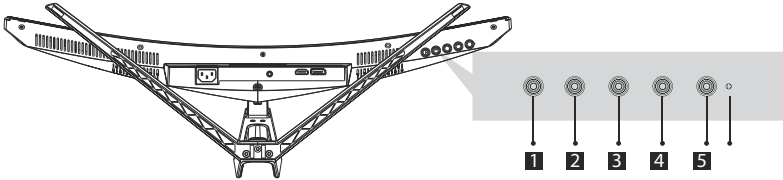


Table 3-2 Indicator description (3)

Name	Description
LED indicator light	<ul style="list-style-type: none"> The blue light indicates that the power supply is normal and the monitor is running normally. Flashing blue light indicates no video source, no horizontal or vertical signals, or too low a voltage. The light is off when the screen is turned off.

Table 3-3 OSD Buttons (3)

OSD Button	Function
1	Menu button: Press to display OSD menu and enter sub-menus.
2	Down button: Move down in the menu/quickly adjust the game crosshairs.
3	Up button: Move up/quickly adjust Lighting effects control.
4	Exit key: Returns to the previous menu.
5	Power button: Press to turn monitor on/off.

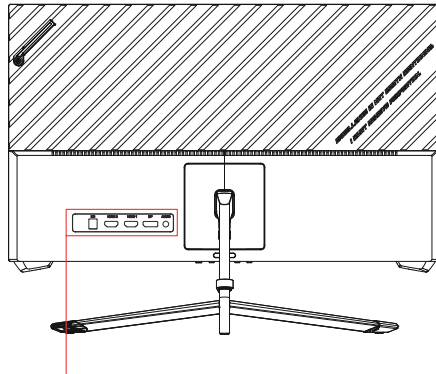
NOTE

The above content is for reference only, and everything is subject to actual conditions.

4. Cable Connection

DHI-LM24-E230C / DHI-LM27-E230C

Figure 4-1 input and output interface (1)



Input and output ports



Table 4-1 Input and output ports (1)

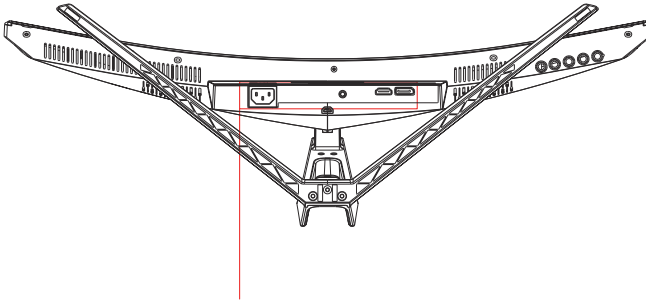
OSD Button	Function
DC	x1/ Used to connect power adapters.
DP	x1/ Use the DP cable to connect to a desktop PC.
HDMI	x2/ Use the HDMI cable to connect the HDMI IN interface of the product to the HDMI OUT interface of a PC.
AUDIO OUT	x1/ Use to connect with external sound output devices such as headphones or earphones.

NOTE

The above ports are for reference only, the actual ports of different types of monitors may be slightly different from the ports in the figure, and everything is subject to the ports and functions of the actual product.

DHI-LM32-E230CN

Figure 4-1 input and output interface (2)



Input and output ports



DP



HDMI



AUDIO OUT



POWER CONNECTOR

Table 4-1 Input and output ports (2)

OSD Button	Function
DP	x1/ Use the DP cable to connect to a desktop PC.
HDMI	x1/ Use the HDMI cable to connect the HDMI IN interface of the product to the HDMI OUT interface of a PC.
AUDIO OUT	x1/ Use to connect with external sound output devices such as headphones or earphones.
POWER CONNECTOR	x1/ Insert the power cable to supply power to the monitor.

NOTE

The above ports are for reference only, the actual ports of different types of monitors may be slightly different from the ports in the figure, and everything is subject to the ports and functions of the actual product.

5. Menu Description

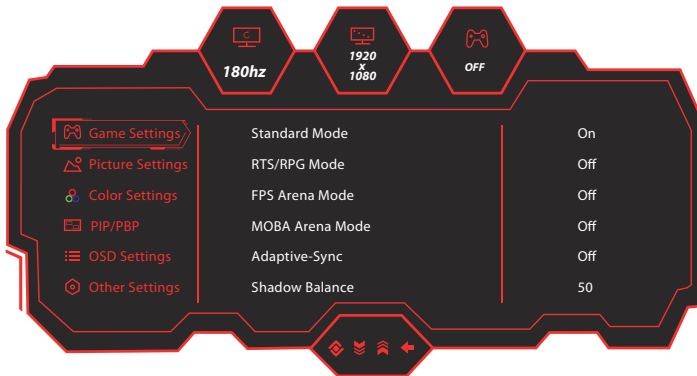
- The color and shape of the OSD menu of the actual computer may be slightly different from that shown in the figure, and everything that has been actually displayed shall prevail.
- Specifications of the OSD menu may change with improvements of functions without prior notice.

DHI-LM24-E230C / DHI-LM27-E230C

The On-Screen Display (OSD) menu allows you to adjust the settings of your display, turn on the monitor and move the joystick to the right to display the navigation interface.

Step 1. Press the button **1** to activate the browser screen.

Figure 5-1 OSD screen (1)



Step 2. Press **2** or **3** to scroll through the functions.

- Select the desired function, and press **1** to enter the sub-menu.
- Press **2** or **3** to scroll through sub-menus, and press **1** key to select and confirm the desired function.
- Press **2** or **3** to select one option, and press **1** to confirm settings and exit from the current menu.

Step 3. Press **4** to exit from the menu screen.

DHI-LM32-E230CN

The on-screen display (OSD) menu can be used to adjust the settings of the monitor and is displayed on the screen after turning on the monitor and pressing the button.

Step 1. Press one of the buttons to activate the Navigation window.

Figure 5-1 Navigation window (2)

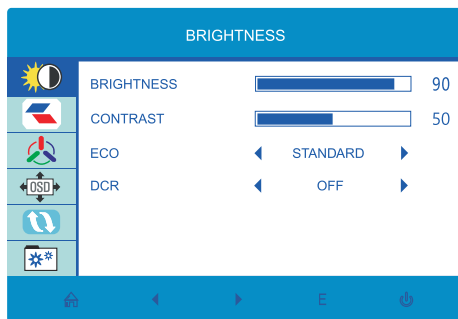


Table 5-1 Icon function (2)

Icon	Function
	Confirm and enter the main menu
	Game Crosshair
	contextual mode
	Exit the menu interface
	Power switch

Step 2. Press to enter the OSD screen.

Figure 5-2 OSD screen (2)



Step 3. Press or to browse through the functions.

- Select the desired function, then press the button to enter the submenu
- Press or to browse the sub-menus, and then press the key to confirm the selection of the desired function.
- Press or to select an option, then press to confirm the setting and exit the current menu.

Step 4. Press to exit the menu interface

6. Operation Menu (OSD) Function Descriptions

DHI-LM24-E230C / DHI-LM27-E230C

Table 6-1 OSD Menu description (1)

Main Menu	Sub Menu	Option
Game Settings	Standard Mode	Off/On
	RTS/RPG Mode	Off/On
	FPS Arena Mode	Off/On
	MOBA Arena Mode	Off/On
	Adaptive-Sync	Off/On
	Shadow Balance	0-100
	Response Time	Off/Normal/Fast/Ultrafast
	Refresh Rate	Off/On/Position
	Game Crosshair	Off/Crosshair1/Crosshair2/Crosshair3/Crosshair4/Crosshair5/Crosshair6
	Game Time	Off/On: 15:00/30:00/45:00/60:00/Position
	Dynamic Brightness	Off/Normal/Expert/Elaboration
	MPRT	Off/On
	Ambient Lighting	Off/On
Picture Settings	Brightness	0-100
	Contrast	0-100
	DCR	Off/On
	Contextual Model	Off/Movie Mode/Reading Mode/Night Mode
	Low Blue Light	0-100
	Sharpness	0-5
	Gamma	1.8/2.0/2.2/2.4/2.6/5.curve
Aspect Ratio	Wide Screen/4:3/1:1/Auto	
Color Settings	Warm	Off/On
	Natural	Off/On
	Cool	Off/On
	User1	Off/On:0-100(R/G/B)
	User2	Off/On:0-100(R/G/B)

Main Menu	Sub Menu	Option
Color Settings	User3	Off/On:0-100(R/G/B)
	Hue	0-100(R/G/B/C/M/Y)
	Saturation	0-100(R/G/B/C/M/Y)
PIP/PBP	PIP/PBP Mode	Off/PIP Mode/PBP 2Win 1:1
	Sub-Signal Source	DP/HDMI1/HDMI2
	Audio Source	Auto/DP/HDMI1/HDMI2
	PIP Position	TopRight/TopLeft/BottomRight/BottomLeft
	PIP Size	Small/Medium/Large
	Window Swap	Off/On
OSD Settings	Language	Simplified Chinese/English/한국어 / العربية / Portugues do Brasilzil/Deutsch/Nederland/Suomi/Français/Ελληνικά/Indonesia/Italiano/Japanese/Malaysia/Polksie/Portugués/Русский/Español/ไทย/Українська/Tiếng Việt/Chinese Traditional/Türkçe
	OSD Time Out	5-100
	OSD H-Position	0-100
	OSD V-Position	0-100
	OSD Transparency	0-5
	Hotkey1 Setting	Brightness/Contrast/Volume/Mute/Shadow Balance/Game Crosshair/Refresh Rate/Game Time/Contextual Model/Input Signal/Dynamic Brightness/Ambient Lighting
	Hotkey2 Setting	
	Hotkey3 Setting	
	OSD Rotation	Normal/90/180/270
OSD Lock	Off/On	
Other Settings	Input Signal	Auto/DP/HDMI1/HDMI2
	Volume	0-100
	Mute	Off/On
	Auto Power	Off/On
	Eyeshield Remind	Off/On
	Reset	No/Yes
	Information	Input Source: /Resolution: /Mode:

DHI-LM32-E230CN

Table 6-1 OSD Menu description (2)

Menu	Sub Menu	Value Range
BRIGHTNESS	BRIGHTNESS	0-100
	CONTRAST	0-100
	ECO	STANDARD/GAME/RTS/FPS/MOVIE/TEXT
	DCR	ON/OFF
	HDR	ON/OFF
IMAGE	H. POSITION	—
	V.POSITION	—
	CLOCK	—
	PHASE	—
	ASPECT	WIDE/AUTO/4:3
COLOR TEMP.	COLOR TEMP.	WARM/COOL/USER
	RED	0-100
	GREEN	0-100
	BLUE	0-100
OSD SETTING	LANGUAGE	ENGLISH/FRANÇAIS/DEUTSCH/SIMPLIFIED CHINESE/ITALIANO/ESPAÑOL/PORTUGUÉS/TURKCE/POLSKI/NEDERLANDS/РУССКИЙ/한국/JAPANESE
	OSD H. POS.	0-100
	OSD V. POS.	0-100
	OSD TIMEOUT	5-100
	TRANSPARENCY	0-100
RESET	RESET	—
MISC	SIGNAL SOURCE	DP/HDMI
	MUTE	ON/OFF
	VOLUME	0-100
	LOW BLUE RAY	0-100
	OVERDRIVE	ON/OFF
	Adaptive-Sync	ON/OFF
	MPRT	OFF/ON
	LED EFFECT	NORMAL/OFF/FLICKER

 NOTE

The OSD features in the table above are for reference only and may differ from the actual display, so the OSD features of the actual display shall prevail.

The monitor automatically enter standby model after 3 minutes without any operation.

Standby Power Consumption: no more than 0.5W.

Appendix 1 Security Commitment and Recommendation

Dahua Vision Technology Co., Ltd. (hereinafter referred to as "Dahua") attaches great importance to cybersecurity and privacy protection, and continues to invest special funds to comprehensively improve the security awareness and capabilities of Dahua employees and provide adequate security for products. Dahua has established a professional security team to provide full life cycle security empowerment and control for product design, development, testing, production, delivery and maintenance. While adhering to the principle of minimizing data collection, minimizing services, prohibiting backdoor implantation, and removing unnecessary and insecure services (such as Telnet), Dahua products continue to introduce innovative security technologies, and strive to improve the product security assurance capabilities, providing global users with security alarm and 24/7 security incident response services to better protect users' security rights and interests. At the same time, Dahua encourages users, partners, suppliers, government agencies, industry organizations and independent researchers to report any potential risks or vulnerabilities discovered on Dahua devices to Dahua PSIRT, for specific reporting methods, please refer to the cyber security section of Dahua's official website.

Product security requires not only the continuous attention and efforts of manufacturers in R&D, production, and delivery, but also the active participation of users that can help improve the environment and methods of product usage, so as to better ensure the security of products after they are put into use. For this reason, we recommend that users safely use the device, including but not limited to:

1. Account Management

1.1 Use complex passwords

Please refer to the following suggestions to set passwords:

- The length should not be less than 8 characters;
- Include at least two types of characters: upper and lower case letters, numbers and symbols;
- Do not contain the account name or the account name in reverse order;
- Do not use continuous characters, such as 123, abc, etc.;
- Do not use repeating characters, such as 111, aaa, etc.

1.2 Change passwords periodically

It is recommended to periodically change the device password to reduce the risk of being guessed or cracked.

1.3 Allocate accounts and permissions appropriately

Appropriately add users based on service and management requirements and assign minimum permission sets to users.

1.4 Enable account lockout function

The account lockout function is enabled by default. You are advised to keep it enabled to protect account security. After multiple failed password attempts, the corresponding account and source IP address will be locked.

1.5 Set and update password reset information in a timely manner

Dahua device supports password reset function. To reduce the risk of this function being used by threat actors, if there is any change in the information, please modify it in time. When setting security questions, it is recommended not to use easily guessed answers.

2. Service Configuration

2.1 Enable HTTPS

It is recommended that you enable HTTPS to access Web services through secure channels.

2.2 Encrypted transmission of audio and video

If your audio and video data contents are very important or sensitive, we recommend you to use encrypted transmission function in order to reduce the risk of your audio and video data being eavesdropped during transmission.

2.3 Turn off non-essential services and use safe mode

If not needed, it is recommended to turn off some services such as SSH, SNMP, SMTP, UPnP, AP hotspot etc., to reduce the attack surfaces.

If necessary, it is highly recommended to choose safe modes, including but not limited to the following services:

- SNMP: Choose SNMP v3, and set up strong encryption and authentication passwords.
- SMTP: Choose TLS to access mailbox server.
- FTP: Choose SFTP, and set up complex passwords.
- AP hotspot: Choose WPA2-PSK encryption mode, and set up complex passwords.

2.4 Change HTTP and other default service ports

It is recommended that you change the default port of HTTP and other services to any port between 1024 and 65535 to reduce the risk of being guessed by threat actors.

3. Network Configuration

3.1 Enable Allow list

It is recommended that you turn on the allow list function, and only allow IP in the allow list to access the device. Therefore, please be sure to add your computer IP address and supporting device IP address to the allow list.

3.2 MAC address binding

It is recommended that you bind the IP address of the gateway to the MAC address on the device to reduce the risk of ARP spoofing.

3.3 Build a secure network environment

In order to better ensure the security of devices and reduce potential cyber risks, the following are recommended:

Disable the port mapping function of the router to avoid direct access to the intranet devices from external network;

According to the actual network needs, partition the network: if there is no communication demand between the two subnets, it is recommended to use VLAN, gateway and other methods to partition the network to achieve network isolation;

Establish 802.1x access authentication system to reduce the risk of illegal terminal access to the private network.

4. Security auditing

4.1 Check online users

It is recommended to check online users regularly to identify illegal users.

4.2 Check device log

By viewing logs, you can learn about the IP addresses that attempt to log in to the device and key operations of the logged users.

4.3 Configure network log

Due to the limited storage capacity of devices, the stored log is limited. If you need to save the log for a long time, it is recommended to enable the network log function to ensure that the critical logs are synchronized to the network log server for tracing.

5. Software Security

5.1 Update firmware in time

According to the industry standard operating specifications, the firmware of devices needs to be updated to the latest version in time in order to ensure that the device has the latest functions and security. If the device is connected to the public network, it is recommended to enable the online upgrade automatic detection function, so as to obtain the firmware update information released by the manufacturer in a timely manner.

5.2 Update client software in time

We recommend you to download and use the latest client software.

6. Physical protection

It is recommended that you carry out physical protection for devices (especially storage devices), such as placing the device in a dedicated machine room and cabinet, and having access control and key management in place to prevent unauthorized personnel from damaging hardware and other peripheral equipment (e.g. USB flash disk, serial port).

ENABLING A SMARTER SOCIETY AND BETTER LIVING

ZHEJIANG DAHUA VISION TECHNOLOGY CO., LTD.

Address: No.1399, Binxing Road, Binjiang District, Hangzhou, P. R. China | Website: www.dahuasecurity.com | Postcode: 310053

Email: dhoveas@dhvisiontech.com | Tel: +86-571-87688888 28933188