

## DS-2CD6425G0-10 2 MP Network Camera



## smart IPC

- 1/2.8" Progressive Scan CMOS
- 1920 × 1080 @ 30fps
- Three streams
- 120dB WDR
- 3D DNR
- 4 behavior analyses
- Audio and alarm I/O
- Smart encoding: low bit rate, low latency
- ROI



## Specifications

<b>Camera</b>	
Image Sensor	1/2.8" Progressive Scan CMOS
Min. Illumination	Color: 0.005 Lux @(F1.2, AGC ON),0.014 Lux @(F2.0, AGC ON) B/W: 0.0001 Lux @(F1.2, AGC ON),0.0003 Lux @(F2.0, AGC ON)
Shutter Speed	1 s to 1/100,000 s
Slow Shutter	Yes
Auto-Iris	No
Day & Night	Electronic
Digital Noise Reduction	3D DNR
WDR	120 dB
Angle Adjustment	Not support
<b>Lens</b>	
Focal length	1.39 mm/2.0 mm/2.8 mm/3.7 mm/4.0 mm/6.0 mm
Aperture	L10, L20: F2.5 L30: F2.0
FOV	Pin-hole: 2.8 mm @ F2.5, horizontal FOV 88.2° 3.7 mm @ F2.5, horizontal FOV 71° M12: 2.8 mm @ F2.0, horizontal FOV 104° 4.0 mm @ F2.0, horizontal FOV 80° 6.0 mm @ F2.0, horizontal FOV 50°
Lens Mount	M12, pin hole
<b>Compression Standard</b>	
Video Compression	Main stream: H.265/H.264 Sub-stream: H.265/H.264/MJPEG Third stream: H.265/H.264
H.264 Type	Baseline Profile/Main Profile/High Profile
H.264+	Main stream support.
H.265 Type	Main Profile
H.265+	Main stream support.
Video Bit Rate	32 Kbps to 16 Mbps
Audio Compression	G.711/G.722.1/G.726/MP2L2/PCM/AAC
Audio Bit Rate	64Kbps(G.711)/16Kbps(G.722.1)/16Kbps(G.726)/32-192Kbps(MP2L2)/16-64Kbps(AAC)
<b>Smart Feature-set</b>	
Behavior Analysis	Line crossing detection, intrusion detection, unattended baggage detection, object removal detection
Exception Detection	No
Face Detection	Yes
Region of Interest	1 fixed region for main stream and sub stream
<b>Image</b>	
Max. Resolution	1920 × 1080
Main Stream	H.265/H.264
	50Hz: 25fps (1920 × 1080, 1280 × 960, 1280 × 720) 60Hz: 30fps (1920 × 1080, 1280 × 960, 1280 × 720)

Sub Stream	H.265/H.264/MJPEG	50Hz: 25fps (640 × 480, 640 × 360, 320 × 240) 60Hz: 30fps (640 × 480, 640 × 360, 320 × 240)
Third Stream	H.265/H.264	50Hz: 1fps (1920 × 1080, 1280 × 720, 704 × 576, 640 × 480, 640 × 360, 352 × 288, 320 × 240) 60Hz: 1fps (1920 × 1080, 1280 × 720, 704 × 480, 640 × 480, 640 × 360, 352 × 240, 320 × 240)
Image Enhancement	BLC, 3D DNR	
Image Setting	Rotate mode, saturation, brightness, contrast, sharpness, AGC, white balance adjustable by client software or web browser	
Target Cropping	No	
SVC	H.264 and H.265 encoding	
Day/Night Switch	Day/Night/Auto/Schedule/ Triggered by Alarm In	
Picture Overlay	No	
<b>Network</b>		
Network Storage	Micro SD/SDHC/SDXC card (128G), local storage and NAS (NFS,SMB/CIFS), ANR	
Alarm Trigger	Motion detection, video tampering alarm, network disconnected, IP address conflict, illegal login, HDD full, HDD error	
Protocols	TCP/IP, ICMP, HTTP, HTTPS, FTP, DHCP, DNS, DDNS, RTP, RTSP, RTCP, PPPoE, NTP, UPnP, SMTP, SNMP, IGMP, 802.1X, QoS, IPv6, UDP, Bonjour	
General Function	One-key reset, anti-flicker, three streams, heartbeat, password protection, privacy mask, watermark, IP address filter	
Firmware Version	V5.5.6	
API	ONVIF(PROFILE S,PROFILE G),ISAPI	
Simultaneous Live View	Up to 6 channels	
User/Host	Up to 32 users 3 levels: Administrator, Operator and User	
Client	iVMS-4200, iVMS-4500, iVMS-5200, Hik-Connect	
Web Browser	IE8+, Chrome31.0-44, Firefox30.0-51, Safari8.0+	
<b>Interface</b>		
Audio	1 input (line in), 1 output (line out), mono	
Alarm	1 input, 1 output (up to 24 VAC, 1A or 110 VAC, 500mA)	
Communication Interface	1 RJ45 10M/100M Ethernet port 1 VIN port 1 RS-485	
On-board storage	Built-in micro SD/SDHC/SDXC slot, up to 128 GB	
Reset Button	Yes	
<b>Audio</b>		
Environment Noise Filtering	Yes	
Audio Sampling Rate	Max. 48kHz	
<b>General</b>		
Operating Conditions	-10 ℃ to 40 ℃ ( 14 ℉ to 104 ℉), humidity: 5% to 95% (non-condensing)	
Power Supply	12 VDC ± 20%, two-core terminal block, PoE: (802.3af, class 2)	
Power Consumption and Current	12 V DC ± 20%, 0.25 A, max. 3 W PoE: (802.3af, 37V-57V), 0.2A to 0.1A, Max: 3.5W	
Protection Level	No	

Material	Camera: Plastic Lens: Metal
Dimensions	Camera: 77.1 × 69 × 26 mm (3.04" × 2.72" × 1.02") With package: 254 × 164 × 130 mm (10" × 6.46" × 5.12")
Weight	Camera: 87 g (0.19 lbs.) With package: 220 g (0.49 lbs)

## Available Model

- DS-2CD6425G0-C1: main unit,
- DS-2CD6425FWD-L10: one cylindrical lens,
- DS-2CD6425FWD-L20: one block-shaped lens,
- DS-2CD6425FWD-L30: one tube lens,
- DS-2CD6425G0-10: main unit with one cylindrical lens,
- DS-2CD6425G0-20: main unit with one block-shaped lens,
- DS-2CD6425G0-30: main unit with one tube lens



L10



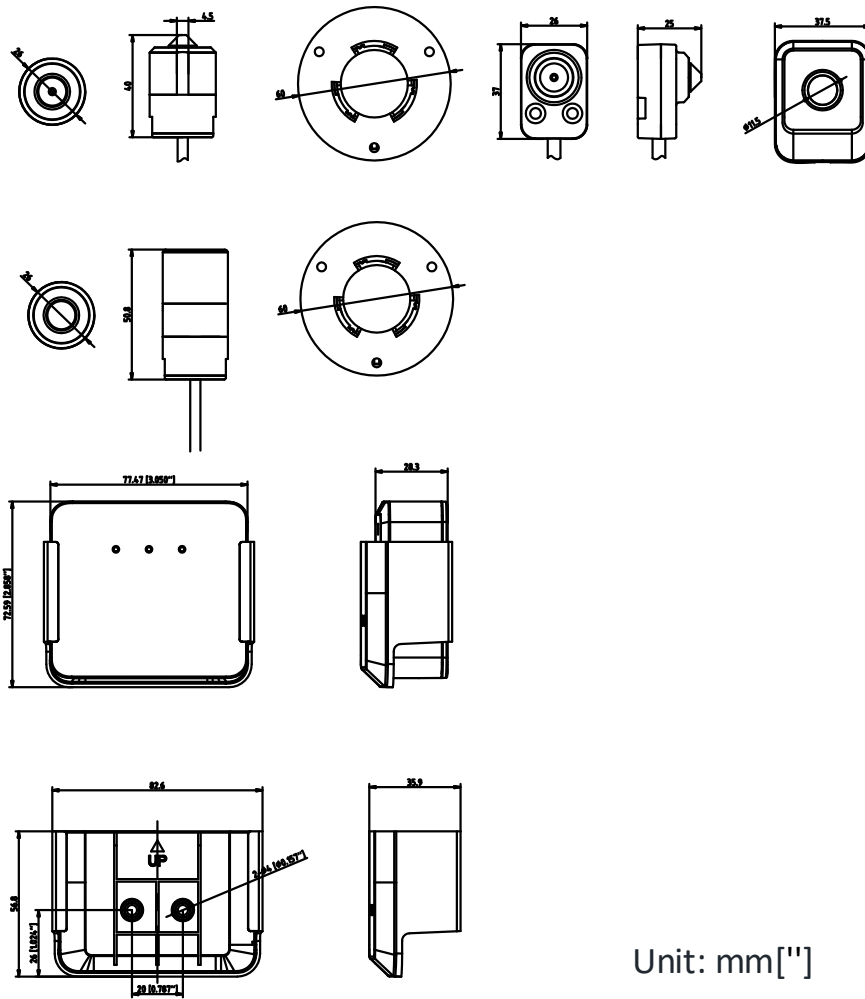
L20



L30

*\*Connecting cable is included for each sensor unit*

## Dimension



Unit: mm["]

Distributed by



## HIKVISION®

### Headquarters

No.555 Qianmo Road, Binjiang District,  
Hangzhou 310051, China  
T +86-571-8807-5998  
overseasbusiness@hikvision.com

**Hikvision USA**  
T +1-909-895-0400  
sales.usa@hikvision.com

**Hikvision Italy**  
T +39-0438-6902  
info.it@hikvision.com

**Hikvision Singapore**  
T +65-6684-4718  
sg@hikvision.com

**Hikvision Africa**  
T +27 (0) 0351172  
sale.africa@hikvision.com

**Hikvision Europe**  
T +31-23-55-42-770  
info.eu@hikvision.com

**Hikvision France**  
T +33(0)1-85-330-450  
info.fr@hikvision.com

**Hikvision Oceania**  
T +61-2-8599-4233  
salesau@hikvision.com

**Hikvision Hong Kong**  
T +852-2151-1761

**Hikvision Middle East**  
T +971-4-8816086  
salesme@hikvision.com

**Hikvision Spain**  
T +34-91-737-16-55  
info.es@hikvision.com

**Hikvision Canada**  
T +1-909-895-0400  
sales.usa@hikvision.com

**Hikvision Russia**  
T +7-495-669-67-99  
saleru@hikvision.com

**Hikvision Poland**  
T +48-22-460-01-50  
poland@hikvision.com

**Hikvision Korea**  
T +82-31-731-8841  
sales.korea@hikvision.com

**Hikvision India**  
T +91-22-28469900  
sales@pramahikvision.com

**Hikvision UK**  
T +01628-902140  
support.uk@hikvision.com

**Hikvision Brazil**  
T +55 11 3318-0050  
Latam.support@hikvision.com